



UV-C LED Water Disinfection



Utilizes powerful UV-C LEDs to provide over 99.99% pathogen reduction at 15 lpm/ 4 gpm.

Advanced patented design featuring UVinaire® LED module. For easy product integration.



Ideal for point of use applications with higher flow rates such as showers, ice and soda machines.



Perfect for smaller point of entry applications including RVs, boats, and cottages/tiny houses.

Full in- house optical, electrical, and mechanical design capabilities. ISO 9001:2015 certified manufacturing facility located in Kentucky, USA.

These options come with the standard unit but can be removed.

Estimated at UV Dose of 30 mJ/cm²-Select 2 of the following output signal options

Lifetime

Status

Temperature

UV Intensity

Specifications provided as a guide. See operating manual for full details. Specifications subject to change

Phone: (760) 216-7321

Email: iCharles@HydroCor.info Web: www.HydroCor.info

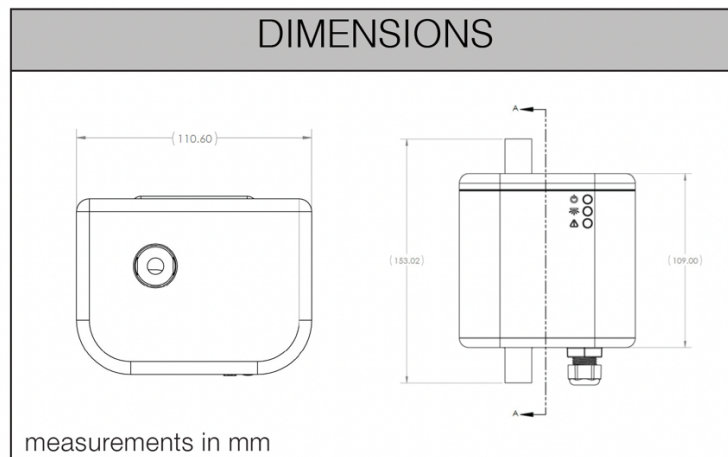
Address: 5378 W 450th Pryor, Oklahoma 74361



FEATURES	
Mercury Free	Low Power Consumption
Remote Start/Stop	Unlimited On/Off Cycling
Instantaneous On	Thermal Monitoring
Dynamic Power Control	Visual LED Indicators
Consistent Performance Across Water Temperature Range	

INCLUDED IN STANDARD UNIT*
Flow Sensor or Remote On/Off Signal
Power Supply
Case
UV Pulse Care™

SPECIFICATIONS		
<i>Specifications provided as a guide. Variations possible based on customer requirements.</i>		
Product Name	PearlAqua Deca	
Model Number	30C	30C No Flow Switch
Flow Rate [lpm (gpm)]	15 (4) ¹	
Minimum Flow Rate [lpm (gpm)]	1 (0.26)	0.5 (0.13)
Headloss at 15 lpm [bar (psi)]	0.45 (6.58)	0.34 (5)
Weight [g (oz)]	545 (19.2)	500 (17.6)
Inlet/Outlet Water Connection	3/8" NPT or 3/8" BSPP	
Max Operating Pressure [bar (psi)]	8.3 (120)	
Environmental Protection	IP65	
Lamp Life [hours]	up to 10,000	
Ambient Temp Range [°C (°F)]	-10-45 (14-113)	
Fluid Temp Range [°C (°F)]	>0-40 (32-104)	
Remote On/Off Voltage [V DC] ²	5-40	
Input Voltage [V DC]	11-30 or 110-240 V AC-DC Power Supply	
Max Input Power [W]	45	



In the past few years, there has been a significant increase in UVC LED technology. Mercury lamps are being replaced for many logical reasons. UVC-LED is a more precise and compact technology, being much more pliable form factors. There are quite a few differences between UV lamps and conventional mercury technology. Technology has advanced substantially and HydroCor feels that we are in the forefront of the UVC trend.

Phone: (760) 216-7321

Email: iCharles@HydroCor.info Web: www.HydroCor.info

Address: 5378 W 450th Pryor, Oklahoma 74361